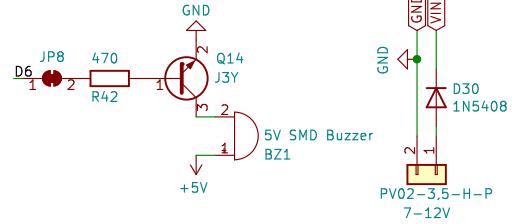
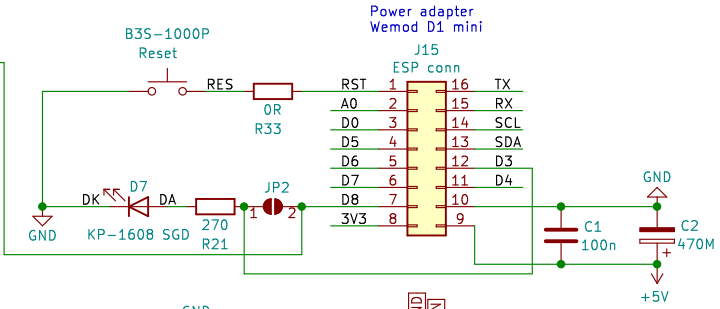
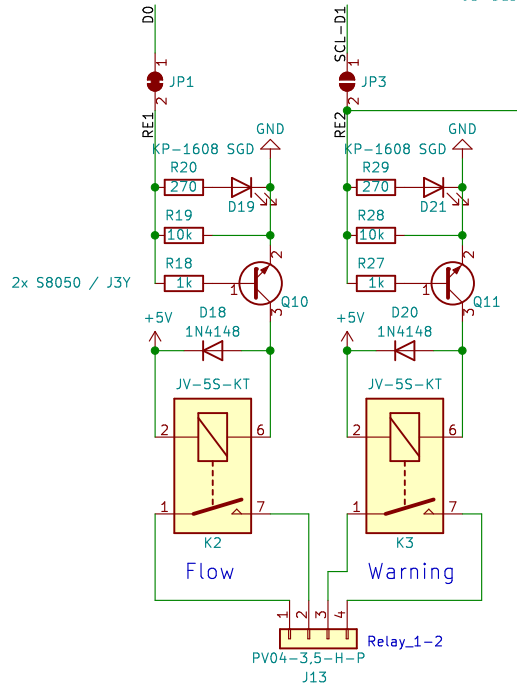


ESP8266 I/O config

| | | |
|----|---|---------------|
| D0 | - | Relay1 |
| D1 | - | SCL - display |
| D2 | - | SDA - display |
| D3 | - | system LED |
| D4 | - | Dallas |
| D5 | - | Flow1 |
| D6 | - | Beeper |
| D7 | - | Flow2 |
| D8 | - | Relay2 |



AYAtec
PCB ESPtronic V1.2 – Flow sensor